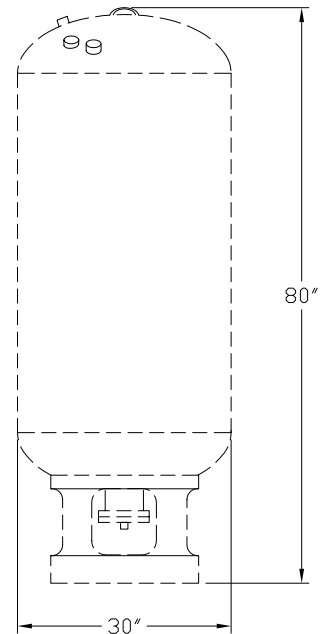
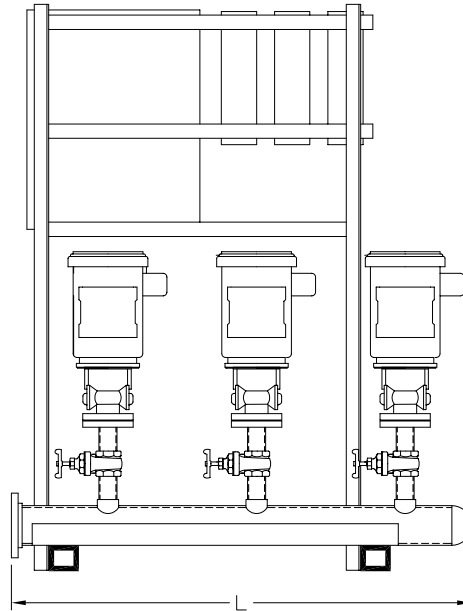
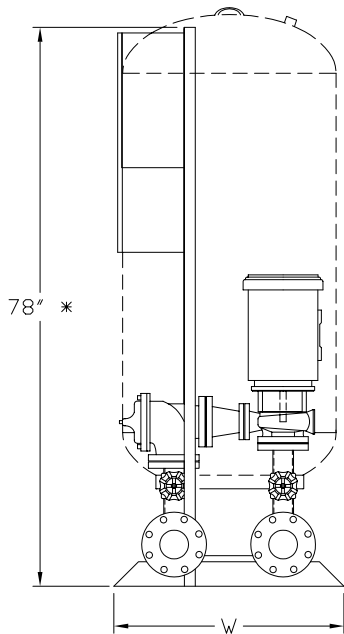
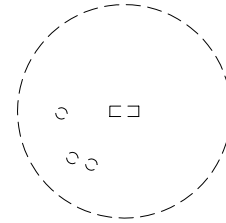
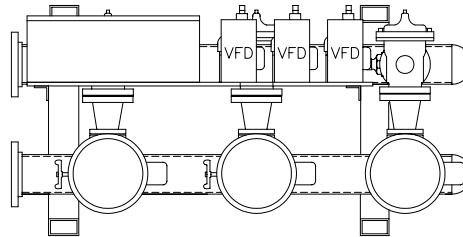


- NOTE:
1. SYSTEM MANIFOLD CONNECTIONS ARE 125/150# ANSI FLANGED.
 2. IF OPTIONAL TANK IS PROVIDED, ONE FIELD CONNECTION IS REQUIRED.
 3. DATA IS BASED ON FXA-700 TANK, REFER TO TANK DRAWING FOR DIMENSIONS AND WEIGHTS OF OTHER MODELS.
 4. MAXIMUM SYSTEM PRESSURE MUST NOT EXCEED 175 PSIG.
OR OPTIONAL TANK PRESSURE RATING.
 5. RIGHT HAND SYSTEM IS SHOWN, SPECIFY LEFT HAND IF REQUIRED.
 6. FOR DIMENSIONS AND DRY WEIGHT CHOOSE THE LARGEST HP PUMP USED IN THIS SYSTEM.
 7. CUSTOM DIMENSIONS ARE AVAILABLE, CONSULT FACTORY.
 8. * VFD'S OVER 15 HP MAY REQUIRE 84"
 9. SYSTEMS WITH CHECK VALVES INSTEAD OF PRV'S SHALL HAVE A "W" DIMENSION OF 40" MINIMUM.



DIMENSIONS IN INCHES (APPROX.)			SYSTEM WEIGHT IN LBS. (APPROX.)	
HORSEPOWER PER PUMP	L	W (SEE NOTE 9)	WITHOUT TANK	WITH TANK
2-3 HORSEPOWER	64	32	1100	1700
5-7.5 HORSEPOWER	68	32	1200	1800
10-15 HORSEPOWER	72	32	1600	2100

Not for construction purposes unless certified.

CERTIFIED BY: _____ DATE: _____

VARIABLE SPEED TRIPLEX SPACE SAVER W/ PRV'S AND OPTIONAL ADJACENT OR REMOTE MOUNTED TANK	CANARIIS CORPORATION		
	DATE: 01/01/05	SCALE: NTS	www.canariis.com