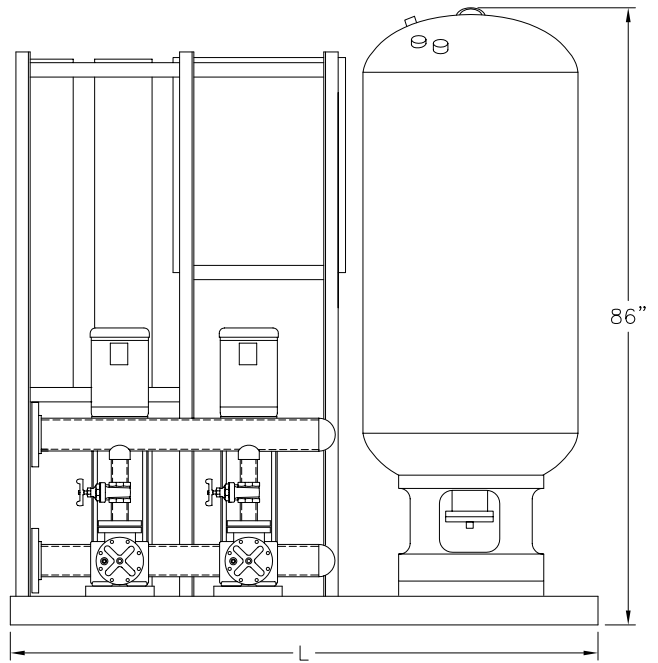
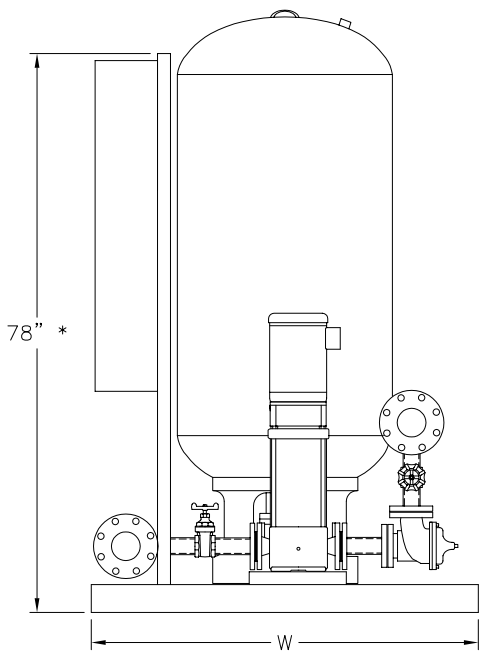
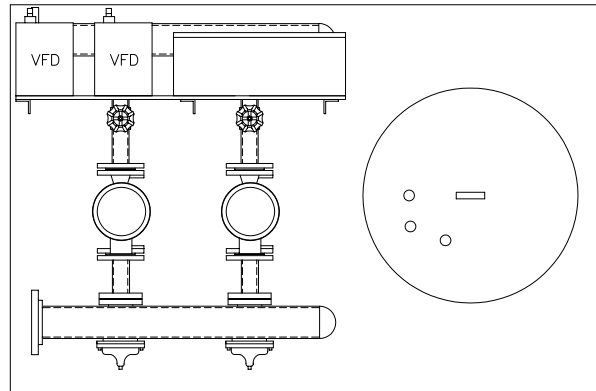


NOTES:

1. SYSTEM MANIFOLD CONNECTIONS ARE (125/150#)(250/300#) ANSI FLANGED.
2. DATA IS BASED ON FXA-700 TANK. REFER TO TANK DRAWINGS FOR DIMENSIONS AND WEIGHTS OF OTHER MODELS.
3. MAXIMUM SYSTEM PRESSURE MUST NOT EXCEED (175)(250)(300) PSIG OR TANK WORKING PRESSURE.
4. RIGHT HAND SYSTEM IS SHOWN. SPECIFY LEFT HAND IF REQUIRED.
5. FOR DIMENSIONS AND DRY WEIGHT CHOOSE THE LARGEST PUMP USED IN THE SYSTEM.
6. CUSTOM DIMENSIONS ARE AVAILABLE, CONSULT FACTORY.
7. * VFD'S OVER 15 HP MAY REQUIRE 84".



DIMENSIONS IN INCHES (APPROX.)			SYSTEM WEIGHT IN LBS. (APPROX.)
MODEL	L	W	
CR1S-CR5	82	48	1600
CR10-CR20	82	54	2100
CR32-CR45	88	60	2800
CR64-CR90	92	68	3100

Not for construction purposes unless certified.

CERTIFIED BY: _____ DATE: _____

VARIABLE SPEED DUPLEX MULTISTAGE VERTICAL W/ PRV'S
AND SKID MOUNTED TANK

CANARIIS CORPORATION

DATE: 01/01/05 SCALE: NTS www.canariis.com