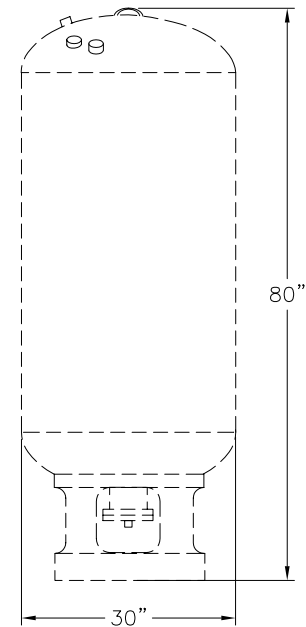
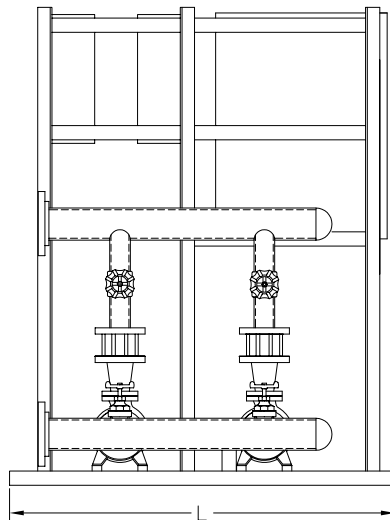
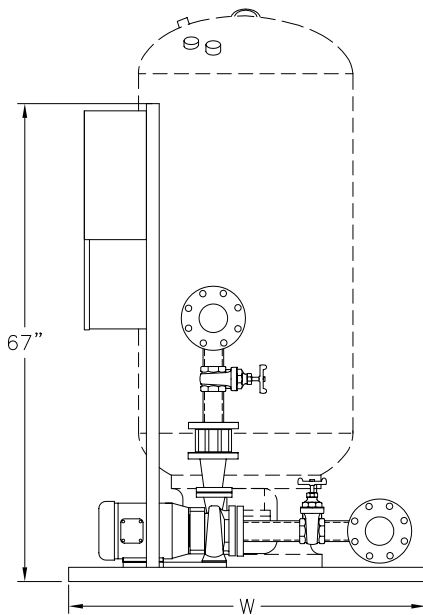
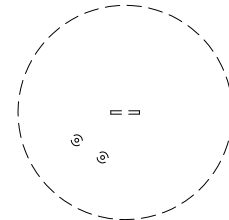
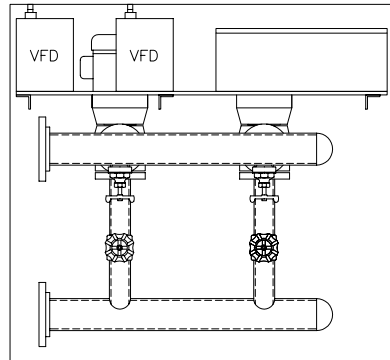


NOTE:

1. SYSTEM MANIFOLD CONNECTIONS ARE 125/150# ANSI FLANGED.
2. IF OPTIONAL TANK IS PROVIDED, ONE FIELD CONNECTION IS REQUIRED.
3. DATA IS BASED ON FXA-700 TANK, REFER TO TANK DRAWING FOR DIMENSIONS AND WEIGHTS OF OTHER MODELS.
4. MAXIMUM SYSTEM PRESSURE MUST NOT EXCEED 175 PSIG. OR OPTIONAL TANK PRESSURE RATING.
5. RIGHT HAND SYSTEM IS SHOWN, SPECIFY LEFT HAND IF REQUIRED.
6. FOR DIMENSIONS AND DRY WEIGHT CHOOSE THE LARGEST HP PUMP USED IN THIS SYSTEM.
7. CUSTOM DIMENSIONS ARE AVAILABLE, CONSULT FACTORY.



DIMENSIONS IN INCHES (APPROX.)			SYSTEM WEIGHT IN LBS.(APPROX.)	
HORSEPOWER PER PUMP	L	W	WITHOUT TANK	WITH TANK
2-3 HORSEPOWER	46	44	1000	1600
5-7.5 HORSEPOWER	54	50	1100	1700
10-15 HORSEPOWER	62	58	1500	2100
20-25 HORSEPOWER	68	64	1700	2300

Not for construction purposes unless certified.

CERTIFIED BY: \_\_\_\_\_ DATE: \_\_\_\_\_

VARIABLE SPEED DUPLEX END SUCTION WITH CHECK VALVES  
AND OPTIONAL REMOTE MOUNTED TANK

CANARIIS CORPORATION

DATE: 04/30/03

SCALE: NTS

www.canariis.com