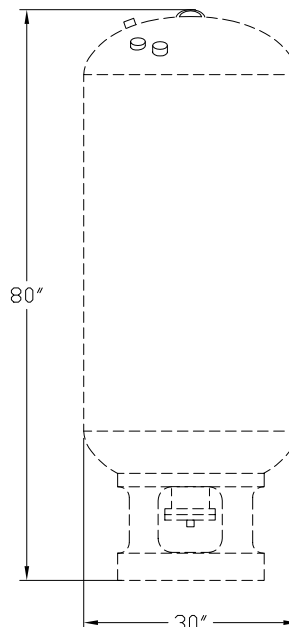
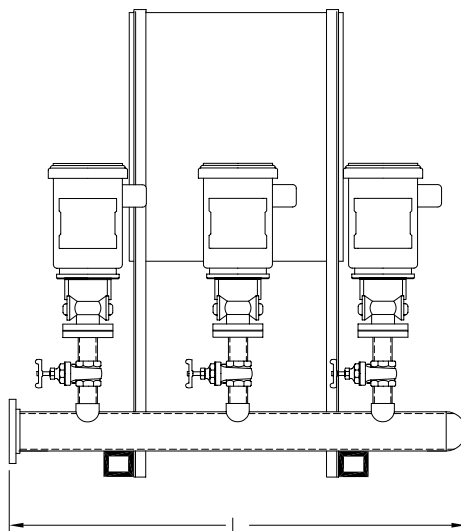
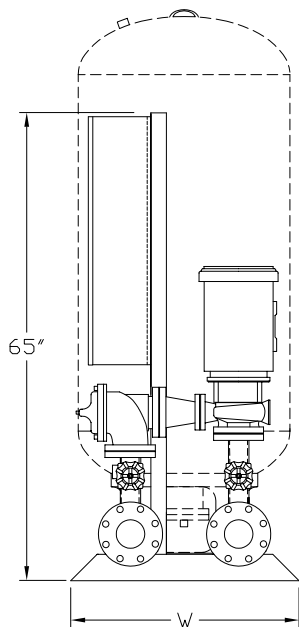
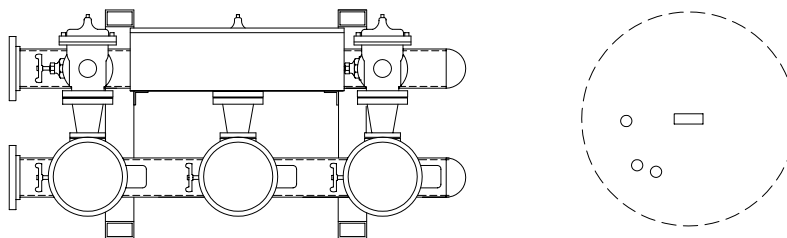


NOTE:

1. SYSTEM MANIFOLD CONNECTIONS ARE 125/150# ANSI FLANGED.
2. IF OPTIONAL TANK IS PROVIDED, ONE FIELD CONNECTION IS REQUIRED.
3. DATA IS BASED ON FXA-700 TANK, REFER TO TANK DRAWING FOR DIMENSIONS AND WEIGHTS OF OTHER MODELS.
4. MAXIMUM SYSTEM PRESSURE MUST NOT EXCEED 175 PSIG.  
OR OPTIONAL ADJACENT TANK PRESSURE RATING.
5. RIGHT HAND SYSTEM IS SHOWN, SPECIFY LEFT HAND IF REQUIRED.
6. FOR DIMENSIONS AND DRY WEIGHT CHOOSE THE LARGEST HP PUMP USED IN THIS SYSTEM.
7. CUSTOM DIMENSIONS ARE AVAILABLE, CONSULT FACTORY.



DIMENSIONS IN INCHES (APPROX.)			SYSTEM WEIGHT IN LBS. (APPROX.)	
HORSEPOWER PER PUMP	L	W	WITHOUT TANK	WITH TANK
2-3 HORSEPOWER	60	32	900	1500
5-7.5 HORSEPOWER	60	32	1000	1600
10-15 HORSEPOWER	60	32	1400	2000

Not for construction purposes unless certified.

CERTIFIED BY: \_\_\_\_\_ DATE: \_\_\_\_\_

TRIPLEX SPACE SAVER		CANARIIS CORPORATION		
WITH OPTIONAL ADJACENT OR REMOTE MOUNTED TANK		DATE: 04/30/03	SCALE: NTS	www.canariis.com