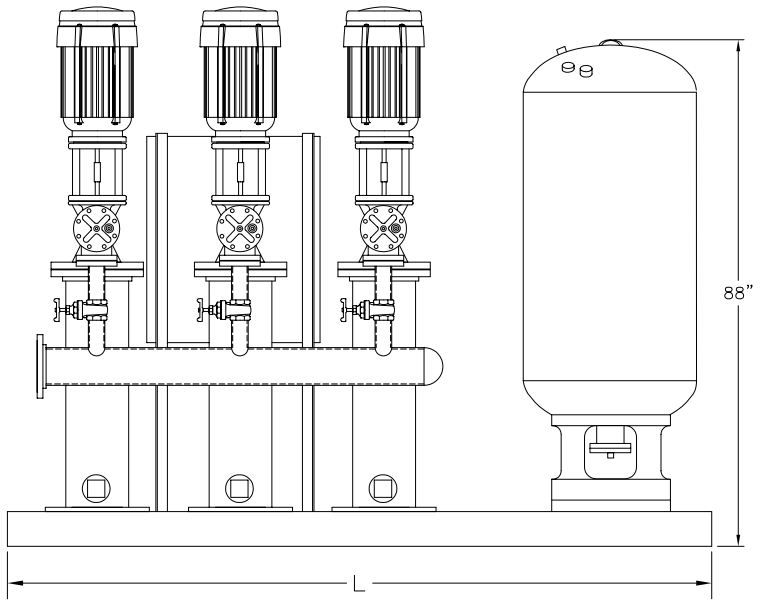
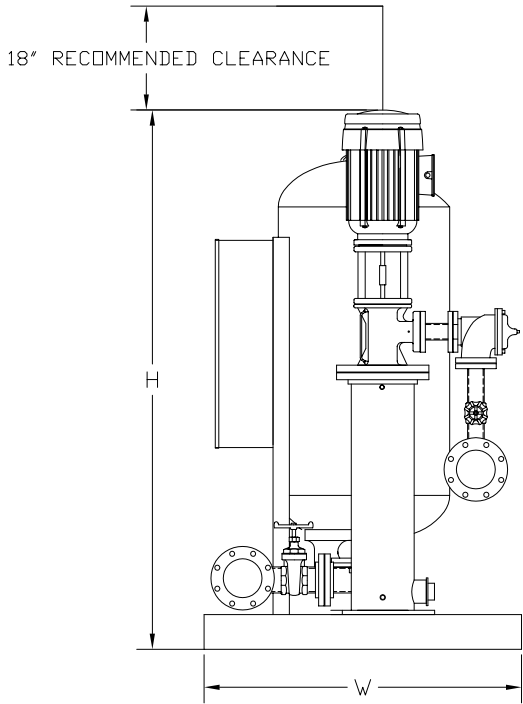
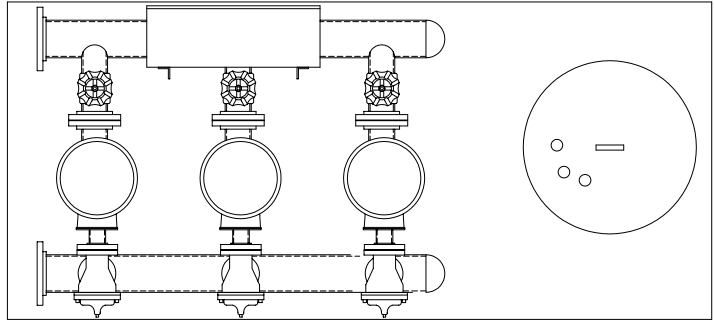


NOTES:

1. SYSTEM MANIFOLD CONNECTIONS ARE (125/150#) (250/300#) ANSI FLANGED.
2. DATA IS BASED ON FXA-700 TANK, REFER TO TANK DRAWINGS FOR DIMENSIONS AND WEIGHTS OF OTHER MODELS.
3. MAXIMUM SYSTEM PRESSURE MUST NOT EXCEED (175) (250) (300) PSIG OR TANK PRESSURE RATING.
4. RIGHT HAND SYSTEM IS SHOWN, SPECIFY LEFT HAND IF REQUIRED.
5. FOR DIMENSIONS AND DRY WEIGHT CHOOSE THE LARGEST HP PUMP USED IN THE SYSTEM.
6. CUSTOM DIMENSIONS ARE AVAILABLE, CONSULT FACTORY.



DIMENSIONS IN INCHES (APPROX.)				SYSTEM WEIGHT IN LBS. (APPROX.)
HORSEPOWER PER PUMP	L	W	H	
10-15 HORSEPOWER	122	55	94	3700
20-30 HORSEPOWER	122	60	110	4200
40-50 HORSEPOWER	132	74	112	6100

Not for construction purposes unless certified.

CERTIFIED BY: \_\_\_\_\_ DATE: \_\_\_\_\_

TRIPLEX VERTICAL TURBINE	CANARIIS CORPORATION		
WITH SKID MOUNTED TANK	DATE: 04/30/03	SCALE: NTS	www.canariis.com