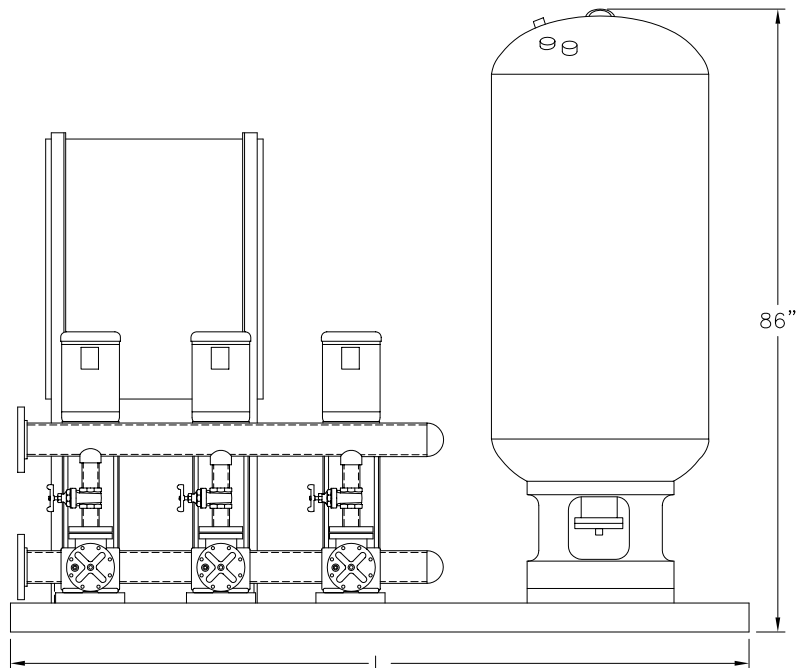
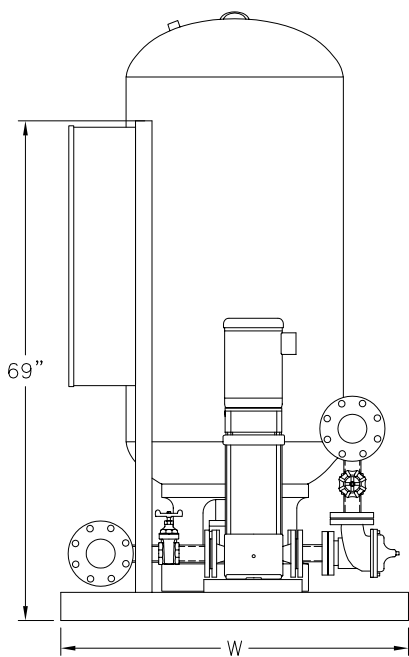
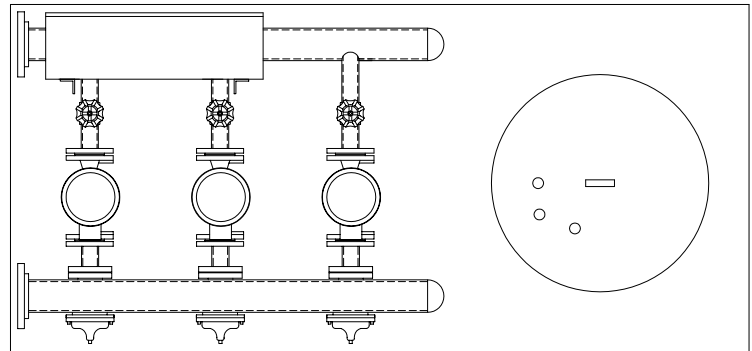


NOTES:

1. SYSTEM MANIFOLD CONNECTIONS ARE (125/150#)(250/300#) ANSI FLANGED.
2. DATA IS BASED ON FXA-700 TANK. REFER TO TANK DRAWINGS FOR DIMENSIONS AND WEIGHTS OF OTHER MODELS.
3. MAXIMUM SYSTEM PRESSURE MUST NOT EXCEED (175)(250)(300) PSIG OR TANK WORKING PRESSURE.
4. RIGHT HAND SYSTEM IS SHOWN. SPECIFY LEFT HAND IF REQUIRED.
5. FOR DIMENSIONS AND DRY WEIGHT CHOOSE THE LARGEST PUMP USED IN THE SYSTEM.
6. CUSTOM DIMENSIONS ARE AVAILABLE, CONSULT FACTORY.



DIMENSIONS IN INCHES (APPROX.)			SYSTEM WEIGHT IN LBS. (APPROX.)
MODEL	L	W	
CR1s-CR5	102	48	1600
CR10-CR20	102	54	2200
CR32-CR45	112	60	3100
CR64-CR90	116	68	3400

Not for construction purposes unless certified.

CERTIFIED BY: \_\_\_\_\_ DATE: \_\_\_\_\_

TRIPLEX MULTISTAGE VERTICAL	CANARIIS CORPORATION		
WITH SKID MOUNTED TANK	DATE: 01/01/05	SCALE: NTS	www.canariis.com