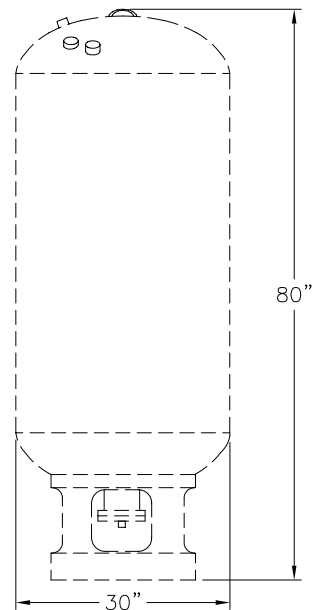
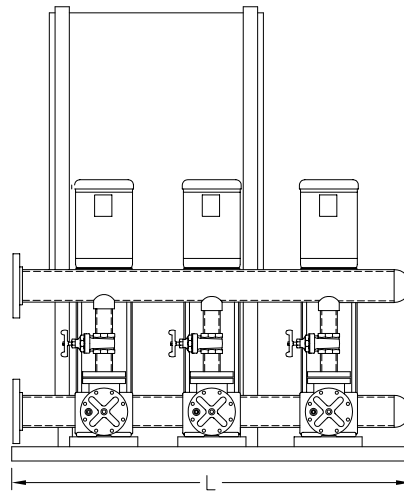
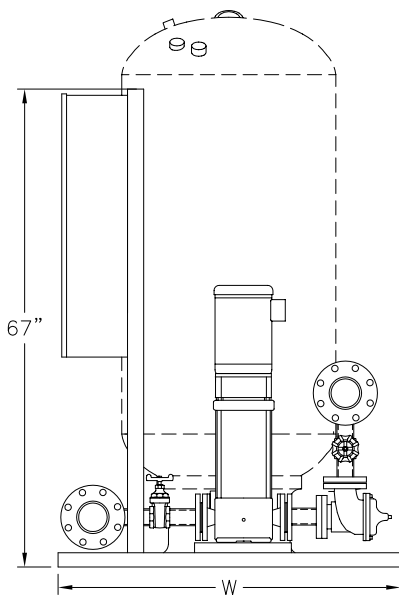
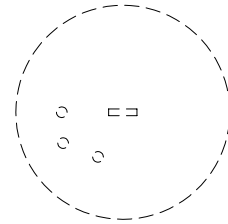
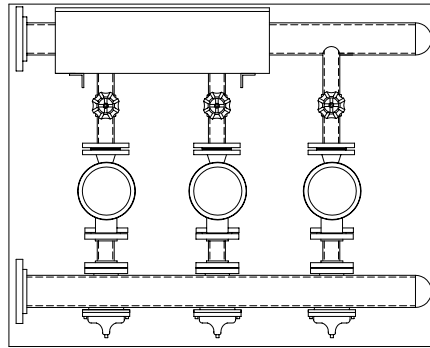


NOTES:

1. SYSTEM MANIFOLD CONNECTIONS ARE (125/150#)(250/300#) ANSI FLANGED.
2. IF OPTIONAL TANK IS PROVIDED, ONE FIELD CONNECTION IS REQUIRED.
3. DATA IS BASED ON FXA-700 TANK. REFER TO TANK DRAWINGS FOR DIMENSIONS AND WEIGHTS OF OTHER MODELS.
4. MAXIMUM SYSTEM PRESSURE MUST NOT EXCEED (175)(250)(300) PSIG OR OPTIONAL ADJACENT TANK PRESSURE RATING.
5. RIGHT HAND SYSTEM IS SHOWN. SPECIFY LEFT HAND IF REQUIRED.
6. FOR DIMENSIONS AND DRY WEIGHT CHOOSE THE LARGEST PUMP USED IN THE SYSTEM.
7. CUSTOM DIMENSIONS ARE AVAILABLE, CONSULT FACTORY.



DIMENSIONS IN INCHES (APPROX.)			SYSTEM WEIGHT IN LBS. (APPROX.)	
MODEL	L	W	WITHOUT TANK	WITH TANK
CR1s-CR5	60	48	900	1500
CR10-CR20	60	54	1400	2000
CR32-CR45	70	60	2300	2900
CR64-CR90	74	68	2300	2900

Not for construction purposes unless certified.

CERTIFIED BY: _____ DATE: _____

TRIPLEX MULTISTAGE VERTICAL		CANARIIS CORPORATION		
WITH OPTIONAL ADJACENT OR REMOTE MOUNTED TANK		DATE: 01/01/05	SCALE: NTS	www.canariis.com