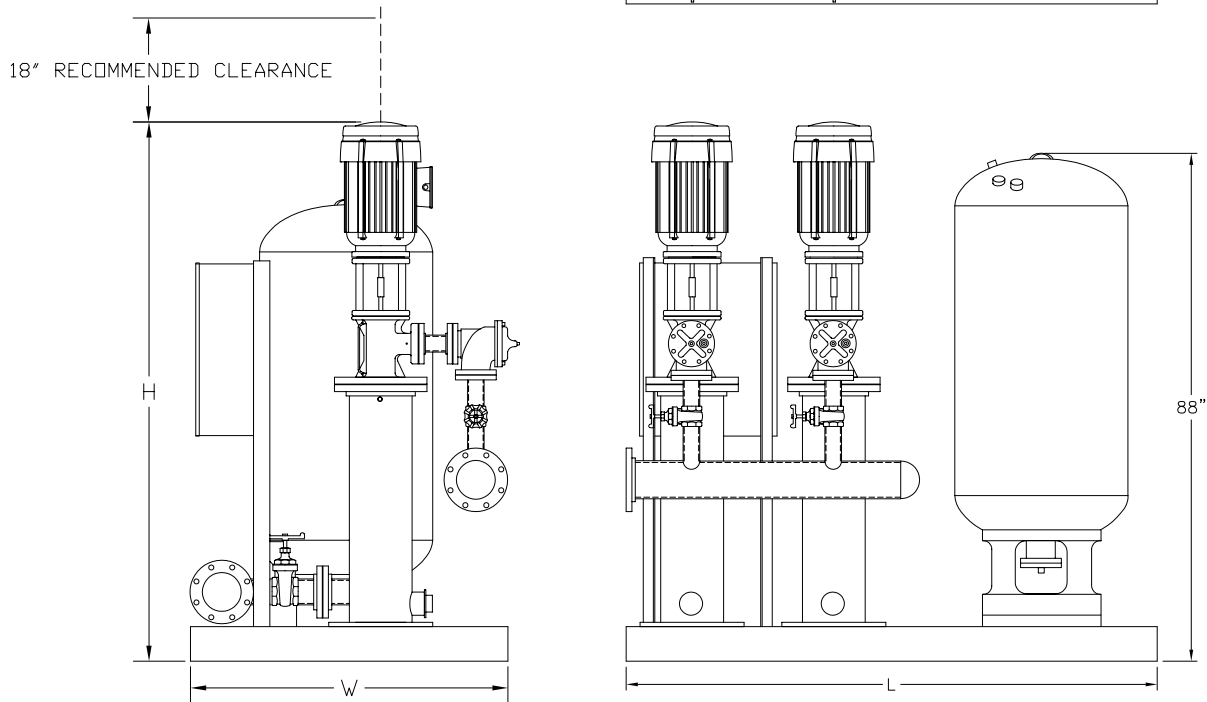
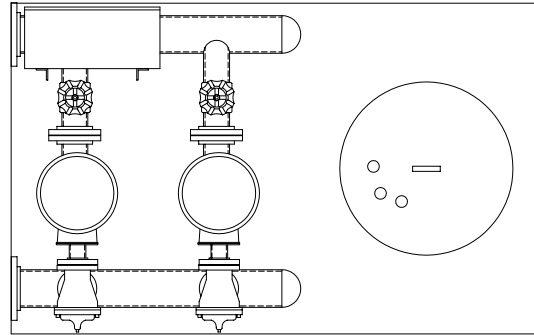


NOTES:

1. SYSTEM MANIFOLD CONNECTIONS ARE (125/150#) (250/300#) ANSI FLANGED.
2. DATA IS BASED ON FXA-700 TANK, REFER TO TANK DRAWINGS FOR DIMENSIONS AND WEIGHTS OF OTHER MODELS.
3. MAXIMUM SYSTEM PRESSURE MUST NOT EXCEED (175) (250) (300) PSIG OR TANK PRESSURE RATING.
4. RIGHT HAND SYSTEM IS SHOWN, SPECIFY LEFT HAND IF REQUIRED.
5. FOR DIMENSIONS AND DRY WEIGHT CHOOSE THE LARGEST HP PUMP USED IN THE SYSTEM.
6. CUSTOM DIMENSIONS ARE AVAILABLE, CONSULT FACTORY.



DIMENSIONS IN INCHES (APPROX.)				SYSTEM WEIGHT IN LBS. (APPROX.)
HORSEPOWER PER PUMP	L	W	H	
10-15 HORSEPOWER	100	55	94	3000
20-30 HORSEPOWER	100	60	110	3500
40-50 HORSEPOWER	104	74	112	5000

Not for construction purposes unless certified.

CERTIFIED BY: _____ DATE: _____

DUPLEX VERTICAL TURBINE	CANARIIS CORPORATION		
WITH SKID MOUNTED TANK	DATE: 04/30/03	SCALE: NTS	www.canariis.com