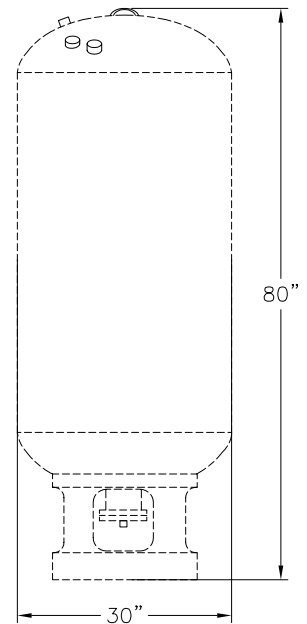
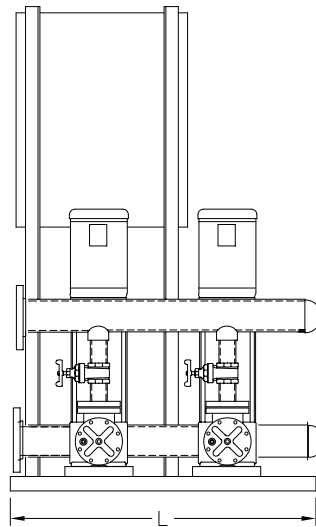
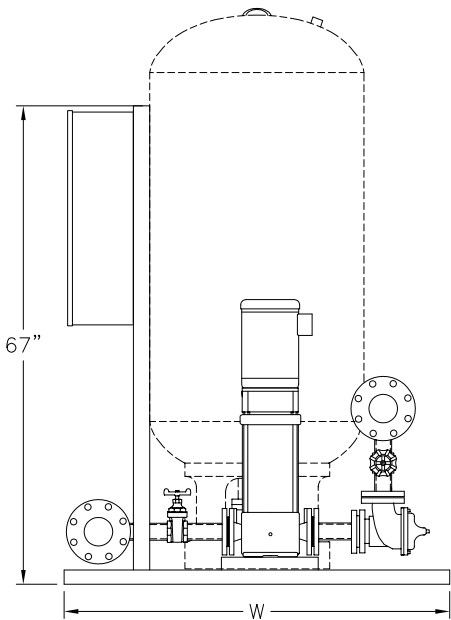
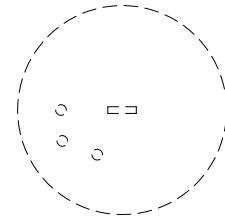
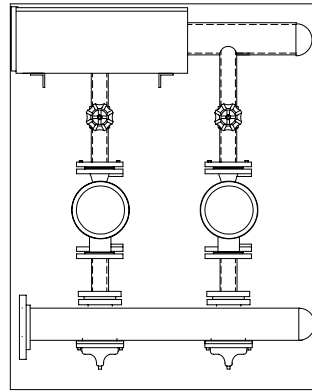


NOTES:

1. SYSTEM MANIFOLD CONNECTIONS ARE (125/150#)(250/300#) ANSI FLANGED.
2. IF OPTIONAL TANK IS PROVIDED, ONE FIELD CONNECTION IS REQUIRED.
3. DATA IS BASED ON FXA-700 TANK. REFER TO TANK DRAWINGS FOR DIMENSIONS AND WEIGHTS OF OTHER MODELS.
4. MAXIMUM SYSTEM PRESSURE MUST NOT EXCEED (175)(250)(300) PSIG OR OPTIONAL ADJACENT TANK PRESSURE RATING.
5. RIGHT HAND SYSTEM IS SHOWN. SPECIFY LEFT HAND IF REQUIRED.
6. FOR DIMENSIONS AND DRY WEIGHT CHOOSE THE LARGEST PUMP USED IN THE SYSTEM.
7. CUSTOM DIMENSIONS ARE AVAILABLE, CONSULT FACTORY.



DIMENSIONS IN INCHES (APPROX.)			SYSTEM WEIGHT IN LBS. (APPROX.)	
MODEL	L	W	WITHOUT TANK	WITH TANK
CR1s-CR5	40	48	700	1300
CR10-CR20	40	54	1100	1700
CR32-CR45	46	60	1800	2400
CR64-CR90	50	68	2100	2700

Not for construction purposes unless certified.

CERTIFIED BY: _____ DATE: _____

DUPLEX MULTISTAGE VERTICAL		CANARIIS CORPORATION		
WITH OPTIONAL ADJACENT OR REMOTE MOUNTED TANK	DATE: 01/01/05	SCALE: NTS	www.canariis.com	