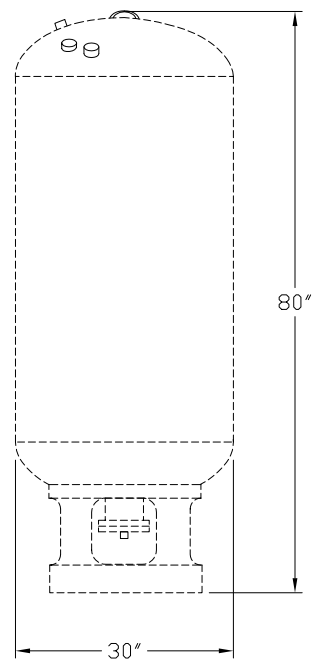
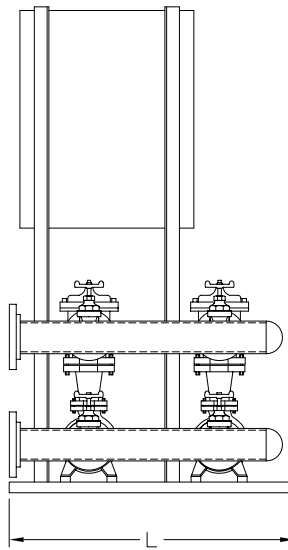
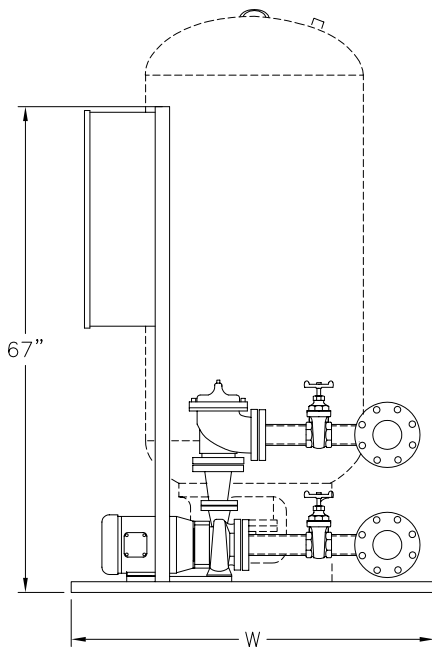
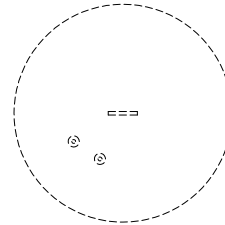
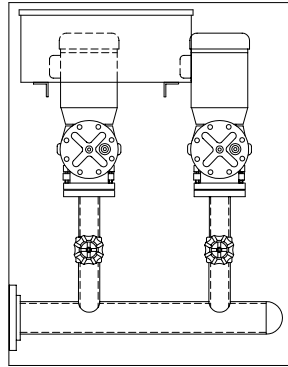


NOTES:

1. SYSTEM MANIFOLD CONNECTIONS ARE 125/150# ANSI FLANGED.
2. DATA IS BASED ON FXA-700 TANK. REFER TO TANK DRAWINGS FOR DIMENSIONS AND WEIGHTS OF OTHER MODELS.
3. MAXIMUM SYSTEM PRESSURE MUST NOT EXCEED 175 PSIG OR OPTIONAL ADJACENT TANK PRESSURE RATING.
4. RIGHT HAND SYSTEM IS SHOWN. SPECIFY LEFT HAND IF REQUIRED.
5. FOR DIMENSIONS AND DRY WEIGHT CHOOSE THE LARGEST HP PUMP USED IN THE SYSTEM.
6. CUSTOM DIMENSIONS ARE AVAILABLE, CONSULT FACTORY.



DIMENSIONS IN INCHES (APPROX.)			SYSTEM WEIGHT IN LBS. (APPROX.)	
HORSEPOWER PER PUMP	L	W	WITHOUT TANK	WITH TANK
2-3 HORSEPOWER	40	42	800	1400
5-10 HORSEPOWER	40	42	900	1500
15-25 HORSEPOWER	44	58	1200	1800

Not for construction purposes unless certified.

CERTIFIED BY: _____ DATE: _____

DUPLEX END SUCTION

CANARIIS CORPORATION

WITH OPTIONAL ADJACENT OR REMOTE MOUNTED TANK

DATE: 04/30/03

SCALE: NTS

www.canariis.com