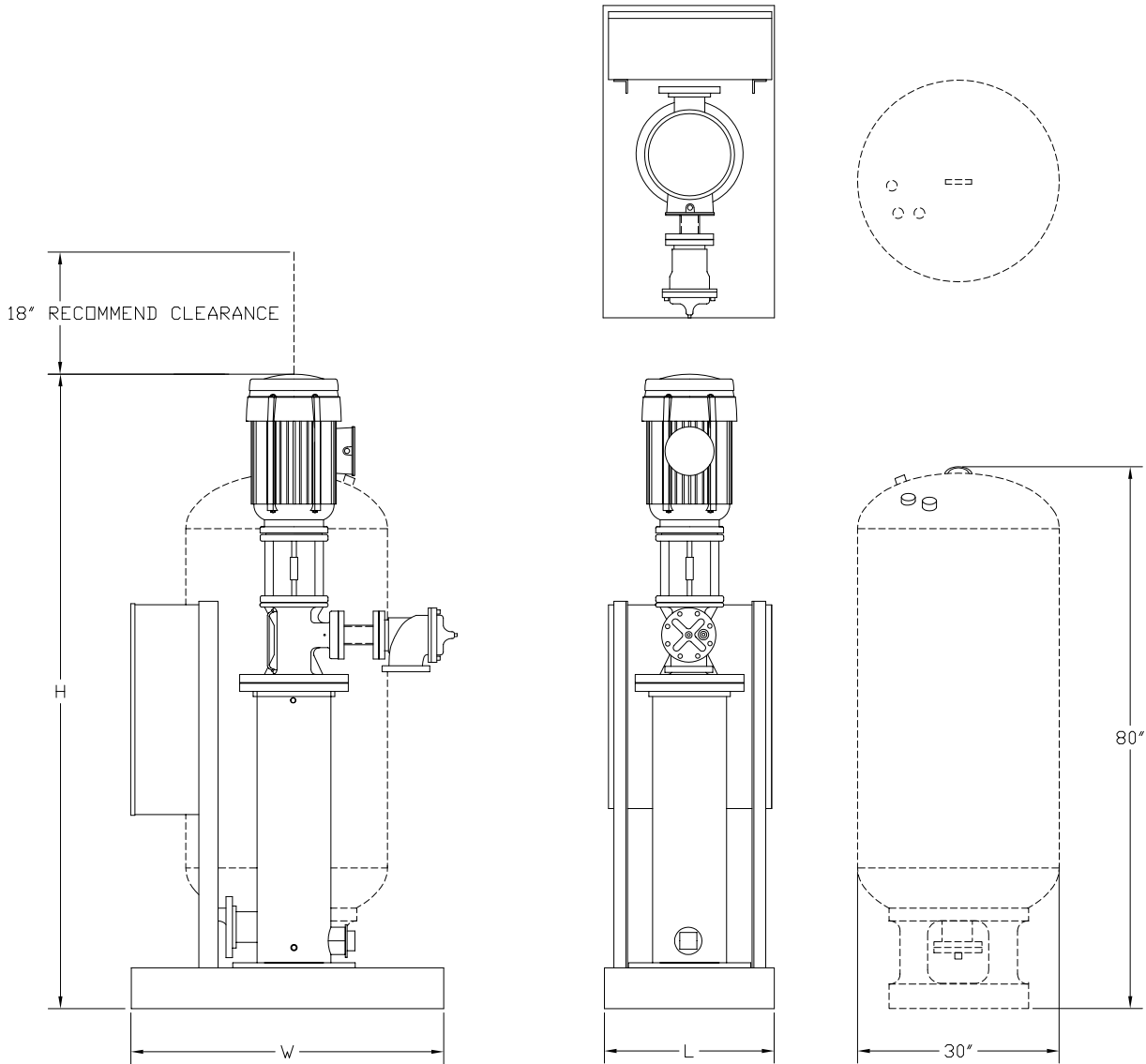


NOTES:

1. SYSTEM MANIFOLD CONNECTIONS ARE (125/150#) (250/300#) ANSI FLANGED.
2. IF OPTIONAL TANK IS PROVIDED, ONE FIELD CONNECTION IS REQUIRED.
3. DATA IS BASED ON FXA-700 TANK, REFER TO TANK DRAWINGS FOR DIMENSIONS AND WEIGHTS OF OTHER MODELS.
4. MAXIMUM SYSTEM PRESSURE MUST NOT EXCEED (175) (250) (300) PSIG OR ADJACENT TANK PRESSURE RATING.



DIMENSIONS IN INCHES (APPROX.)				SYSTEM WEIGHT IN LBS. (APPROX.)	
HORSEPOWER PER PUMP	L	W	H	WITHOUT TANK	WITH TANK
10-15 HORSEPOWER	23	42	94	1200	1800
20-30 HORSEPOWER	25	46	110	1400	2000
40-50 HORSEPOWER	26	60	112	2200	2800

Not for construction purposes unless certified.

CERTIFIED BY: _____ DATE: _____

SIMPLEX VERTICAL TURBINE		CANARIIS CORPORATION			
WITH OPTIONAL ADJACENT OR REMOTE MOUNTED TANK	DATE: 04/30/03	SCALE: NTS	www.canariis.com		