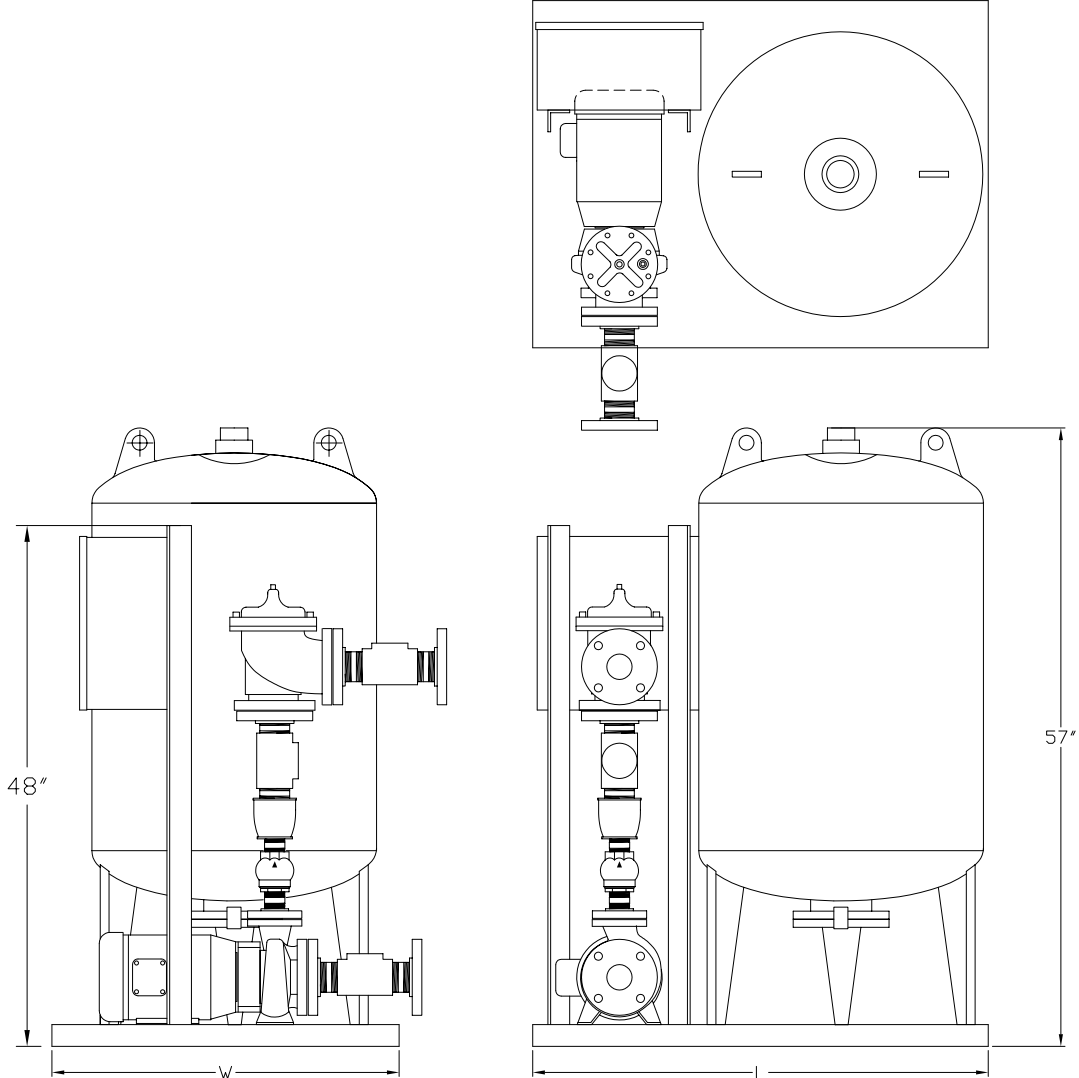


NOTES:

1. DATA IS BASED ON FX-300V TANK, REFER TO TANK DRAWING FOR DIMENSIONS AND WEIGHTS OF OTHER MODELS.
2. MAXIMUM SYSTEM PRESSURE MUST NOT EXCEED 175 PSIG OR ADJACENT TANK PRESSURE RATING.



| DIMENSIONS IN INCHES (APPROX.) | | | SYSTEM WEIGHT IN LBS. (APPROX.) |
|--------------------------------|----|----|---------------------------------|
| HORSEPOWER PER PUMP | L | W | |
| 2-3 HORSEPOWER | 42 | 32 | 400 |
| 5-7.5 HORSEPOWER | 42 | 32 | 460 |
| 10-15 HORSEPOWER | 42 | 32 | 530 |
| 20-25 HORSEPOWER | 46 | 36 | 770 |

Not for construction purposes unless certified.

CERTIFIED BY: _____ DATE: _____