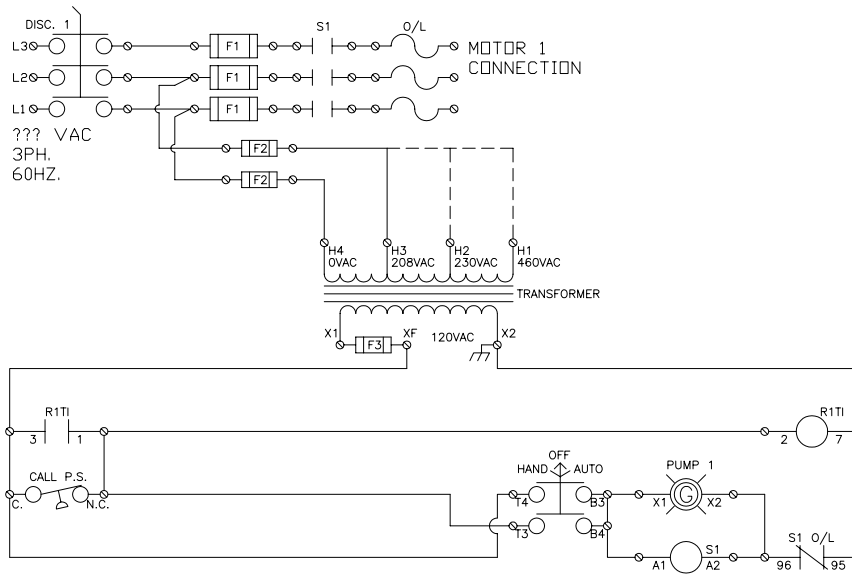
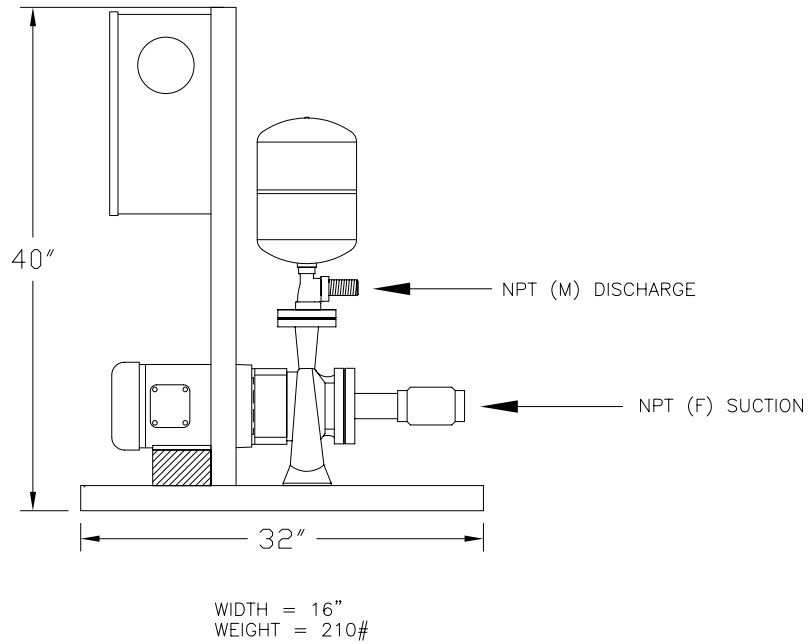


NOTES:

1. MAXIMUM SYSTEM PRESSURE MUST NOT EXCEED 150 PSIG.



FUSE DETAIL

CAUTION: TO REDUCE THE RISK OF FIRE, REPLACE ONLY WITH SAME TYPE AND RATING OF FUSE.

FUSE#	TYPE	SIZE
F1	TR	?A
F2	KLDR	1A
F3	FLQ	.8A

TIMER DETAIL

R1TI - MIN. RUN TIMER FOR PUMP CALL

MCA = 20 AMPS.  
Use Copper Conductor Only.  
60 Deg C For Less Than 100 Amps.  
75 Deg C For 100 Amps. And Greater.  
Adjust O/L Setting For Motor FLA.

Short Circuit Current: 5kA rms symmetrical,  
600V maximum with 460V supply  
250V maximum with 208-230V supply.

TYPICAL MINI SIMPLEX END SUCTION

CANARIIS CORPORATION

TYPICAL WIRING DIAGRAM

DATE: 04/30/03

SCALE: NTS

www.canariis.com