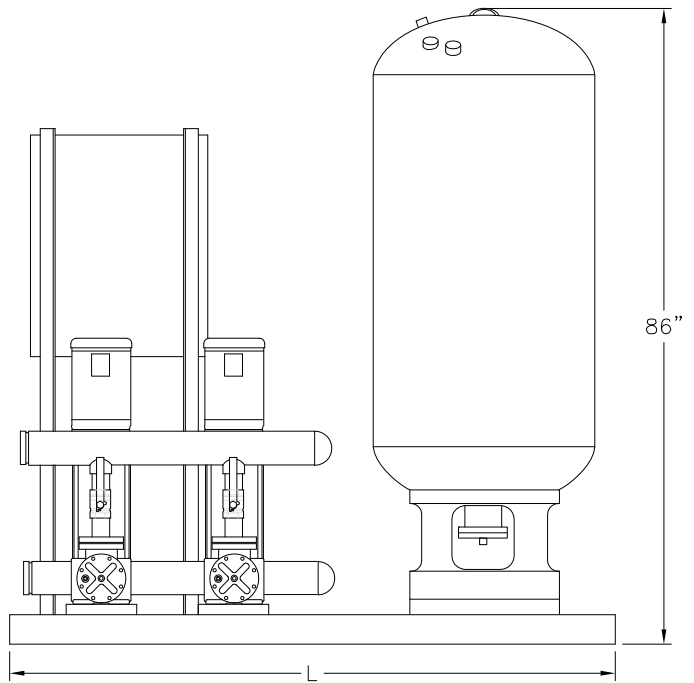
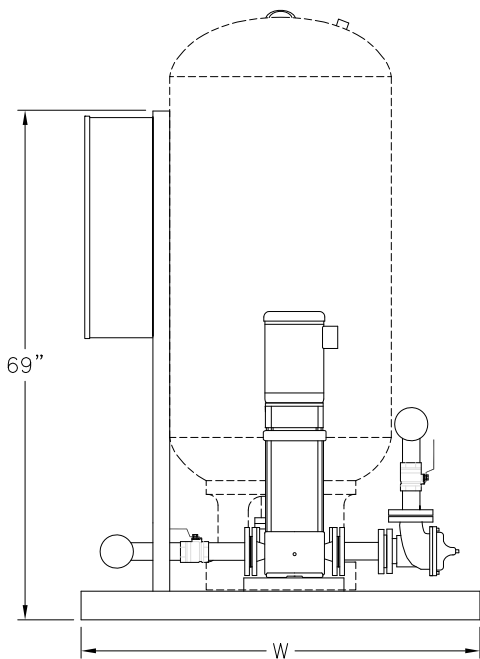
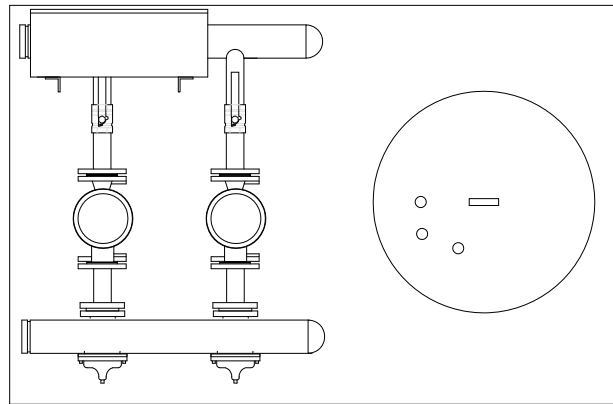


NOTES:

1. SYSTEM MANIFOLD CONNECTIONS ARE GROOVED. (CLASS 125/150 OR 250/300 ANSI FLANGED OPTIONAL)
2. DATA IS BASED ON FXA-700 TANK. REFER TO TANK DRAWINGS FOR DIMENSIONS AND WEIGHTS OF OTHER MODELS.
3. MAXIMUM SYSTEM PRESSURE MUST NOT EXCEED (175)(250)(300) PSIG OR OPTIONAL ADJACENT TANK PRESSURE RATING.
4. RIGHT HAND SYSTEM IS SHOWN. SPECIFY LEFT HAND IF REQUIRED.
5. FOR DIMENSIONS AND DRY WEIGHT CHOOSE THE LARGEST HP PUMP USED IN THE SYSTEM.
6. CUSTOM DIMENSIONS ARE AVAILABLE, CONSULT FACTORY.

SYSTEM SUCTION AND DISCHARGE CONNECTIONS:

- GROOVED END (SHOWN)
- CLASS 125/150 ANSI FLANGED (NOT SHOWN)
- CLASS 250/300 ANSI FLANGED (NOT SHOWN)



DIMENSIONS IN INCHES (APPROX.)			SYSTEM WEIGHT IN LBS. (APPROX.)
MODEL	L	W	
CR1s-CR5	82	48	1400
CR10-CR20	82	54	1900
CR32-CR45	88	60	2600
CR64-CR90	92	68	2900

Not for construction purposes unless certified.

CERTIFIED BY: _____ DATE: _____

DUPLEX MULTISTAGE VERTICAL	CANARIIS CORPORATION		
WITH SKID MOUNTED TANK	DATE: 01/05/09	SCALE: NTS	www.canariis.com